



**PI**

## Pressure Transmitter

Pressure transmitter is the most commonly used in industrial production of a sensor, It is widely used in various industrial control environment, involved in water conservancy and hydropower, railway transportation, intelligent buildings, production control, aerospace, military industry, petrochemical, oil, electric power, ships, machine tools, pipe and so on industry.

Pressure transmitter is mainly ceramic piezoresistive pressure transmitter, capacitance pressure transmitter, diffusion silicon pressure transmitter, strain type pressure transmitter, pressure transmitter, sapphire sputtering film pressure transmitter, etc.,

Product type



■ High-temp health Pressure Transmitter



■ Intelligent Static pressure



■ High-temp Intelligent



■ Flange Static pressure



■ High-temp health Pressure Transmitter



■ Economical Differential pressure



■ Differential pressure Pressure Transmitter



■ Single Flange differential pressure



■ Dual Flange Differential pressure



■ Plug-in health Pressure Transmitter

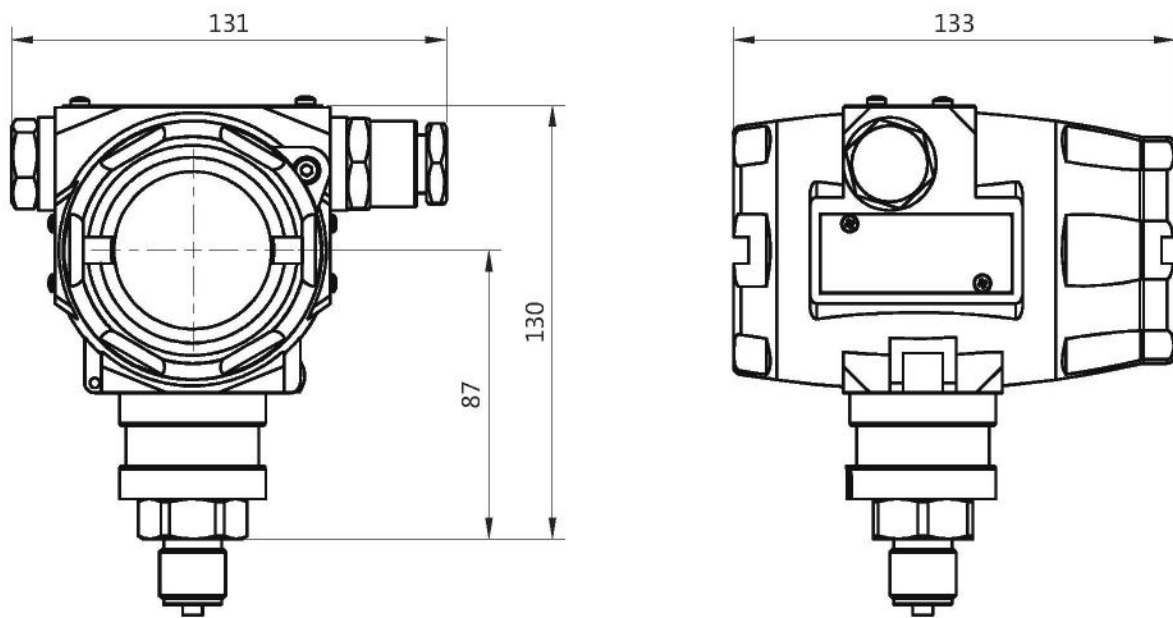


■ Throw-in Pressure Transmitter



■ Throw-in Straight line

PI 2 type Standard Pressure Transmitter



PI2088

Main technical parameters

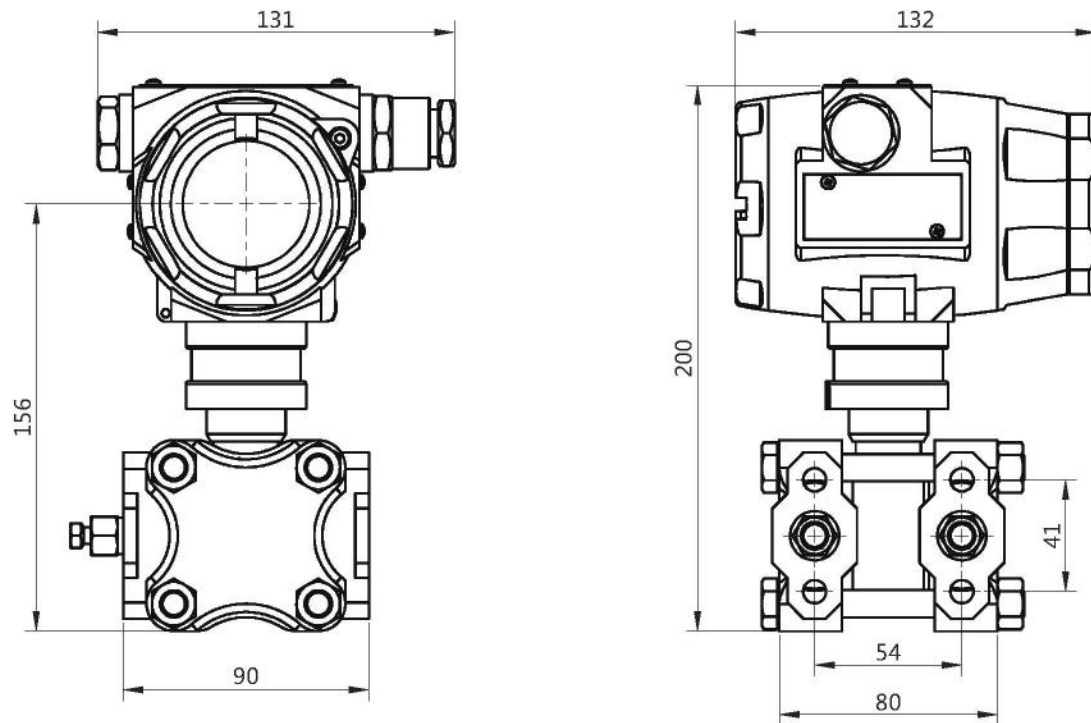
Measurement range	Positive pressure		Negative pressure		Absolute pressure	
	Min range	Max range	Min range	Max range	Min range	Max range
	5KPa	70MPa	-5KPa	-100KPa	10KPa	3.5MPa
Accuracy	0.2%F.S. , 0.5%F.S.					
Power supply	12 ~ 30VDC , 24VDC					
Output signal	4 ~ 20mA , 0 ~ 20mA , 1 ~ 5VDC , 0 ~ 10VDC , 0 ~ 5VDC , Customizable					
Temperature range	Compensation Temperature		Medium Temperature	Operating Temperature	Storage Temperature	
	0 ~ 50°C , -10 ~ 80°C , Customizable		-25 ~ 85°C	-20 ~ 85°C	-40 ~ 125°C	
Temperature drift	0.02%F.S./°C					
Electrical connection	Terminals , Customizable					
Protection class	IP67					
Thread connection	M20×1.5 (M) , G1/2" (M) , G1/4" (M) , Customizable					
Anti-vibration	20g , 20 ~ 5000Hz					
Anti-shock	100g , 11ms					
Housing material	Aluminum alloy					
Operational life	> 1×10 <sup>8</sup> Pressure Cycling					

PI2 type Standard Pressure Transmitter Selection table

Standard type Pressure Transmitter

	G: Gauge Pressure; N: Composite gauge pressure (positive & negative pressure) A: Absolute pressure											
	digit & unit, eg: 0~2.0MPa											
	F: 4~20mA two wire H: 4~20mA/Hart; S: RS485/Modbus RTU; V: 1~5VDC three wire Y1: Customized											
	4: SUS304, 6: SUS316, Y2: Customized											
	M: Male thread M20x1.5 (inner hole Φ3); G: Male thread G1/2" (inner hole Φ3); Y3: Customized											
	C: ATM within 80°C ; T: high-temp 200°C ; Y4: Customized											
	A: Standard type B: Flush type C: Half-flush type;											
	2: 0.2% F.S; 5: 0.5% F.S; Y5: Customized											
	A: without local display Y6: Customized C: LCD digital range display											
	S: Standard type (Non-Ex-proof) I: Intrinsically safe type Exia IIC T6 D: Explosion proof Exd IIC T6 Y7: Customized											
	Product Series	Pressure type	Measuring range	Signal output	Process connection material	Process connection	Temperature range	Pressure taking way	Accuracy	Display type	Explosion proof Grade	
PI2088	-	( )					-					

## P13 type Standard Differential pressure Transmitter



PI3051

## Main technical parameters

Measurement range	Positive pressure		Negative pressure		Absolute pressure	
	Min range	Max range	Min range	Max range	Min range	Max range
	200Pa	10MPa	-200Pa	-10MPa	20KPa	6.8MPa
Accuracy	0.075%F.S. , 0.2%F.S. , 0.5%F.S.					
Power supply	13 ~ 45VDC , 24VDC					
Output signal	4 ~ 20mA , 4 ~ 20mA/HART , Customizable					
Temperature range	Compensation Temperature		Medium Temperature	Operating Temperature	Storage Temperature	
	0 ~ 50°C , -10 ~ 80°C , Customizable		-25 ~ 85°C	-20 ~ 85°C	-40 ~ 125°C	
Temperature drift	0.02%F.S./°C					
Electrical connection	Terminals					
Protection class	IP67					
Thread connection	M20×1.5 (M) , 1/2"NPT (F) , 1/4"NPT (F) , Customizable					
Anti-vibration	20g , 20 ~ 5000Hz					
Anti-shock	100g , 11ms					
Housing material	Aluminum alloy					
Operational life	> 1×10 <sup>8</sup> Pressure Cycling					

## P13 type Standard Differential pressure Transmitter Selection table

Standard Differential Pressure Transmitter

	digit & unit, eg: (-0.1~0.1kPa)											
	<b>F:</b> 4~20mA two wire <b>H:</b> 4~20mA/Hart; <b>S:</b> RS485/Modbus RTU; <b>V:</b> 1~5VDC three wire <b>Y1:</b> Customized											
	<b>D0:</b> relief valve at the rear end of the flange <b>D1:</b> relief valve is on the upper side of the flange <b>D2:</b> relief valve is on the upper side of the flange <b>D3:</b> without relief valve											
	<b>S0:</b> Without Diaphragm Seals <b>S1:</b> Single-ended connection seals <b>S2:</b> double-ended connection seal											
	<b>S:</b> SUS316L ; <b>T:</b> Tantalum <b>M:</b> Monel <b>H:</b> Hastelloy C <b>P:</b> SUS316L coated PTFE											
	<b>P:</b> female thread(1/4-18NPT body); <b>F:</b> flange <b>Y2:</b> Customized Eg: P(1/4NPT), F(DN25 PN0.6MPa HG20592-97)											
	<b>4:</b> SUS304, <b>6:</b> SUS316, <b>Y3:</b> Customized											
	<b>C:</b> ATM within 80°C <b>T:</b> high-temp 200°C <b>Y4:</b> Customized											
	<b>2:</b> 0.2% F.S; <b>5:</b> 0.5% F.S; <b>7:</b> 0.075% F.S;											
	<b>A:</b> without local display; <b>C:</b> LCD digital range display											
	<b>S:</b> Standard type(Non-Ex-proof); <b>I:</b> Intrinsically safe type ExiallCT6 <b>D:</b> Explosion proof ExdIICT6; <b>Y5:</b> Customized											
Product Series	Measuring range	Signal output	Discharge valve position	Diaphragm Seals	Wetted parts material	Process connection	Process connection material	Temperature range	Accuracy	Display type	Explosion proof Grade	
PI3051	-( )	□	□□	□□	□	□ ( )	□	□	□	□	□	

Note: diaphragm type, size, choice of parameters in turn.

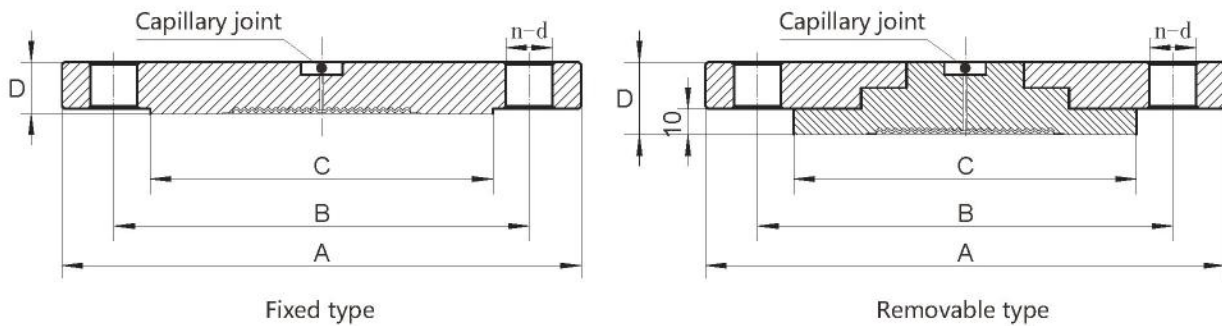
## RFW Diaphragm Seal with flange Connection

Description & Features :

- Connected with pressure and differential pressure transmitter, made up of diaphragm measurement systems.
- Flange with a flush welded diaphragm with contoured diaphragm bed.
- Available for all common standards and nominal diameters
- Suitable for aggressive, highly viscous, crystallizing or hot media
- Used for pressure, differential pressure, level, flow, interface and density measurement



### Structural drawing



### The flange size

Nominal diameter ( DN )	Nominal pressure ( MPa )	Raised face diameter C	Outer diameter A	Thickness D	Drill holes center distance B	Number of drill hole n	Drill holes diameter d	Description
DN25	1	65	115	16	85	4	14	the thickness of removable flange is D+8mm
	2	65	115	16	85	4	14	
DN40	1	84	150	18	110	4	14	
	2	84	150	18	110	4	14	
DN50	1	99	165	20	125	4	14	
	2	99	165	20	125	4	14	
DN80	1	132	200	20	160	8	18	
	2	132	200	24	160	8	18	